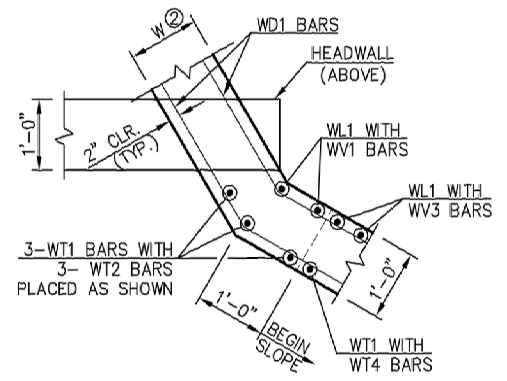
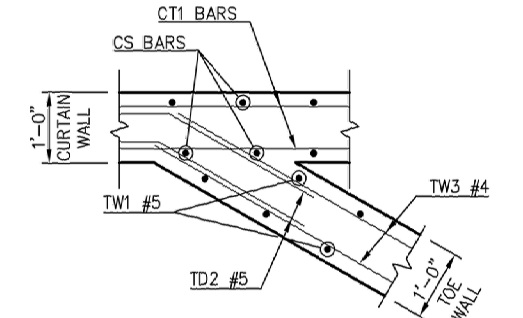


① SEE RCB CULVERTS - BARREL DETAILS FOR EXTERIOR WALL DIMENSION

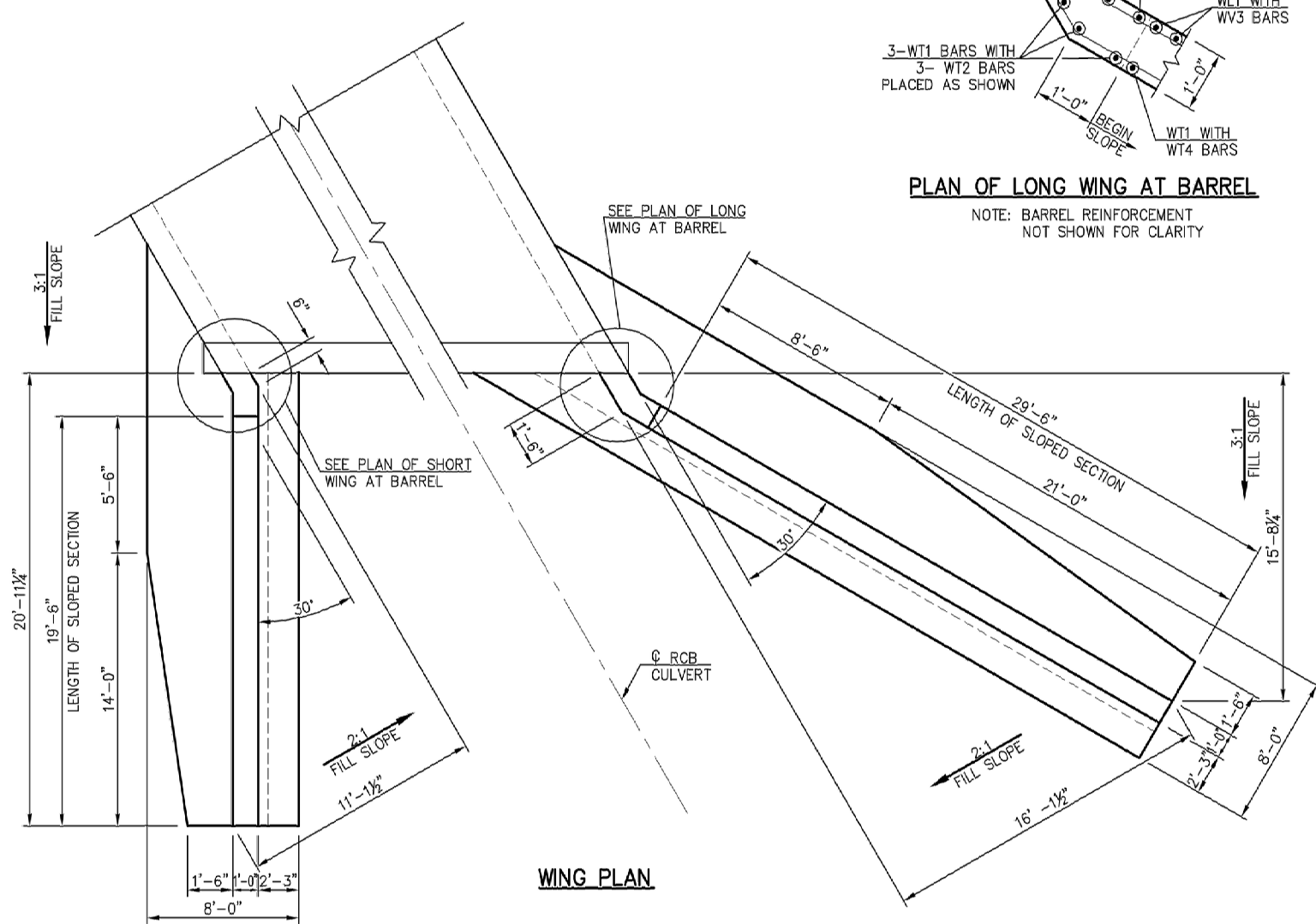


PLAN OF LONG WING AT BARREL

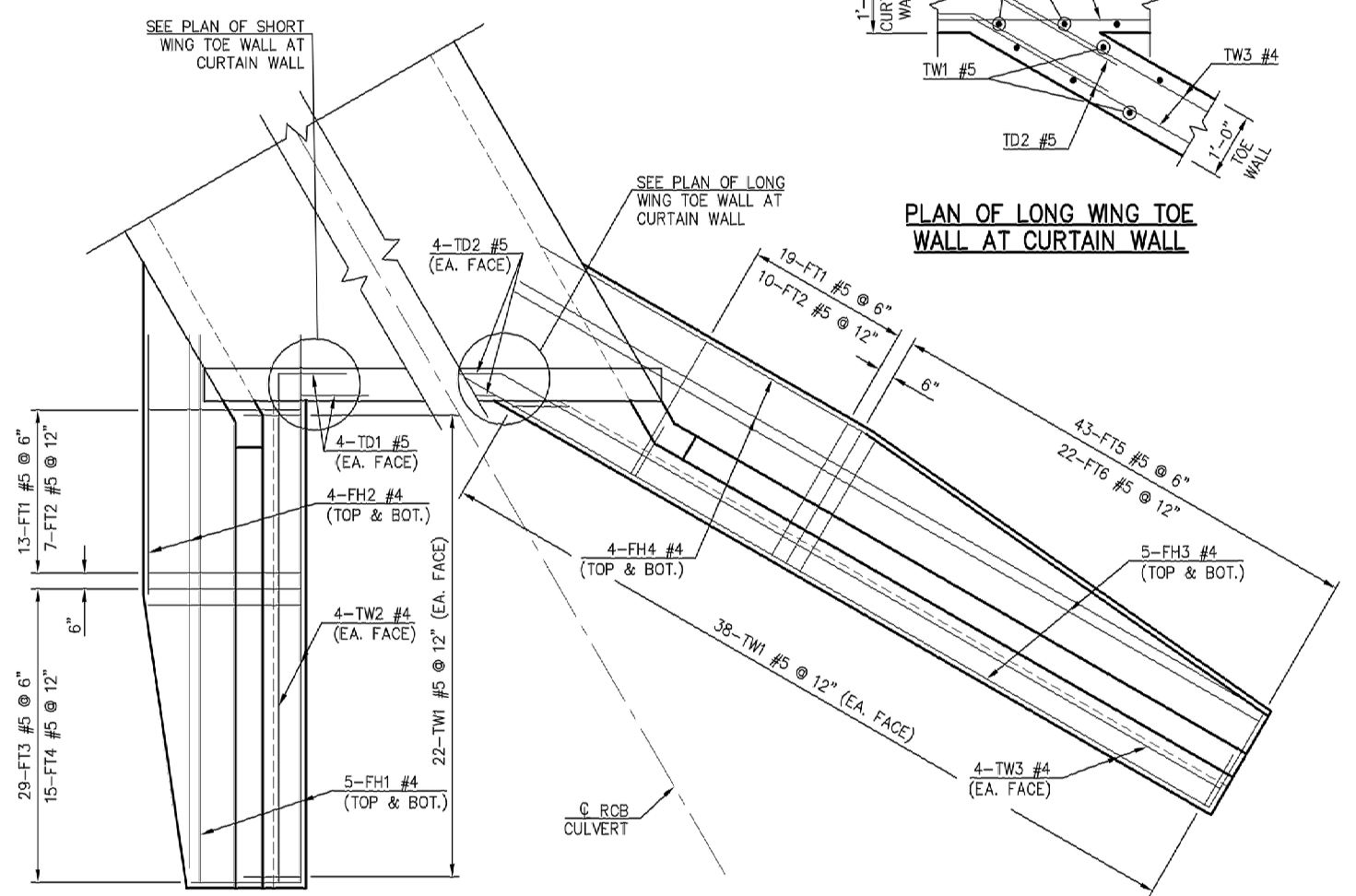
NOTE: BARREL REINFORCEMENT NOT SHOWN FOR CLARITY



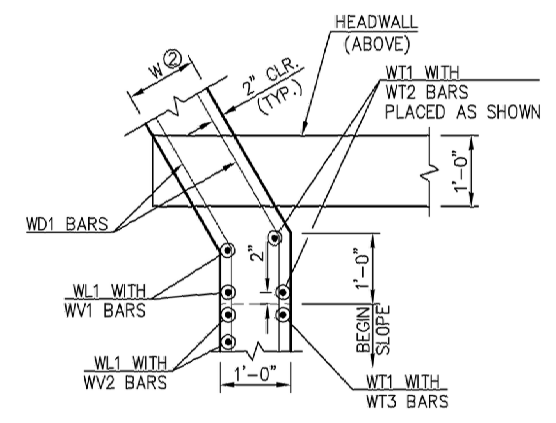
PLAN OF LONG WING TOE WALL AT CURTAIN WALL



WING PLAN

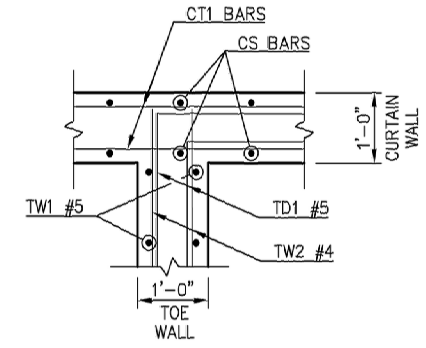


FOOTING REINFORCING



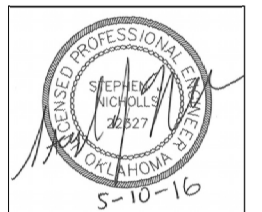
PLAN OF SHORT WING AT BARREL

NOTE: BARREL REINFORCEMENT NOT SHOWN FOR CLARITY



PLAN OF SHORT WING TOE WALL AT CURTAIN WALL

WING QUANTITIES		
ONE LONG AND ONE SHORT WING INCLUDED		
ITEM	UNIT	TOTAL
CLASS A CONCRETE	CY	48.20
REINFORCING STEEL	LB	6,910.00



JACKSON COUNTY TRIBUTARY OF BITTER CREEK
 Design J.S.N. 8/16
 Drawn T.C.B. 12/16
 Checked M.E.C.
 Approved J.S.N.
 Consultant CED #7
 RCB CULVERTS-WING DETAILS
 10'-0" HEIGHT-30"
 (SHEET NO. 1 OF 2)
 STATE/JOB No. 32622(04) Sheet No. 13